

T101 T102 T103



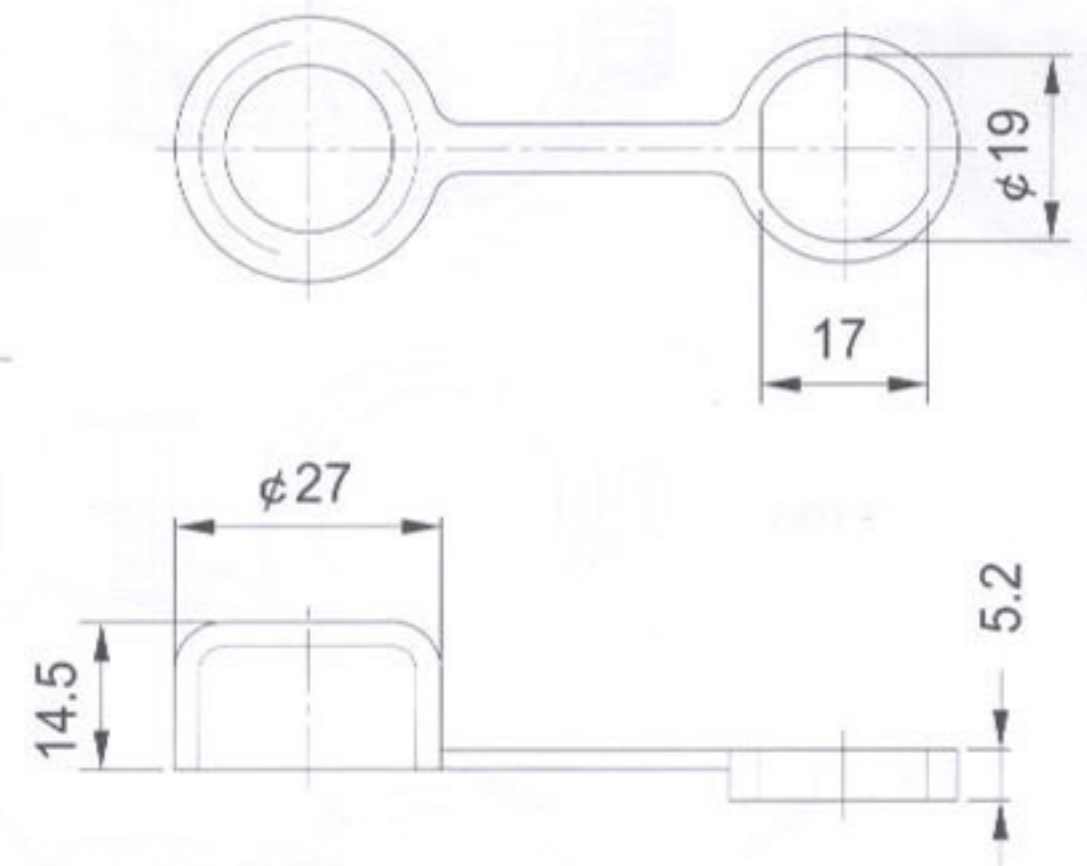
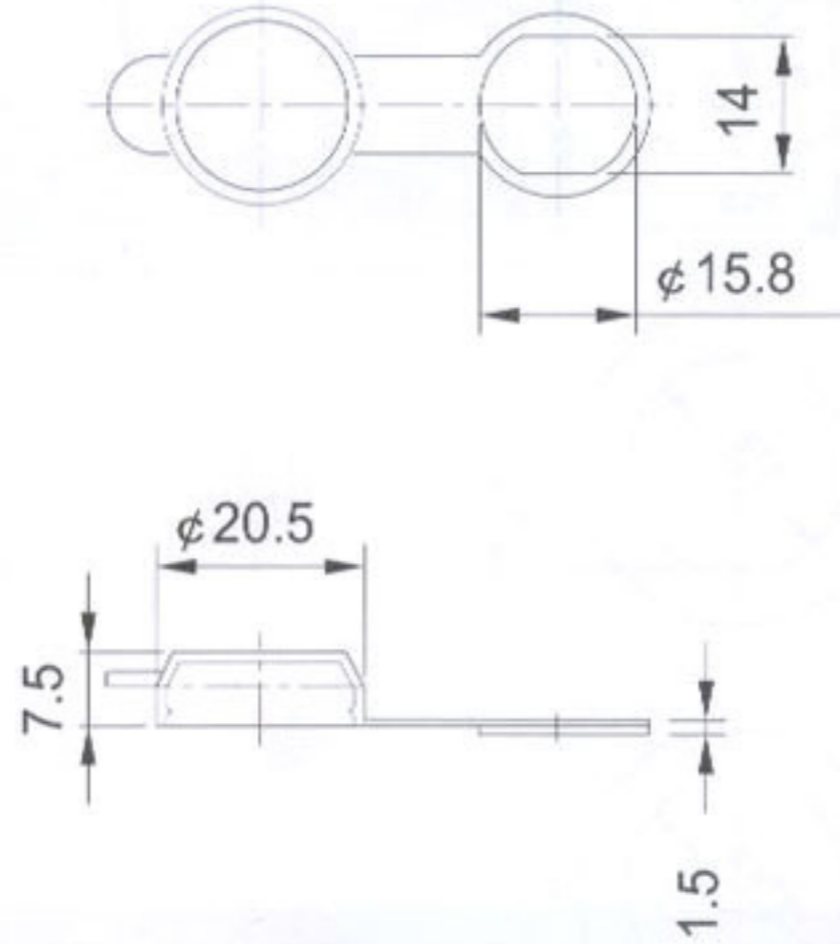
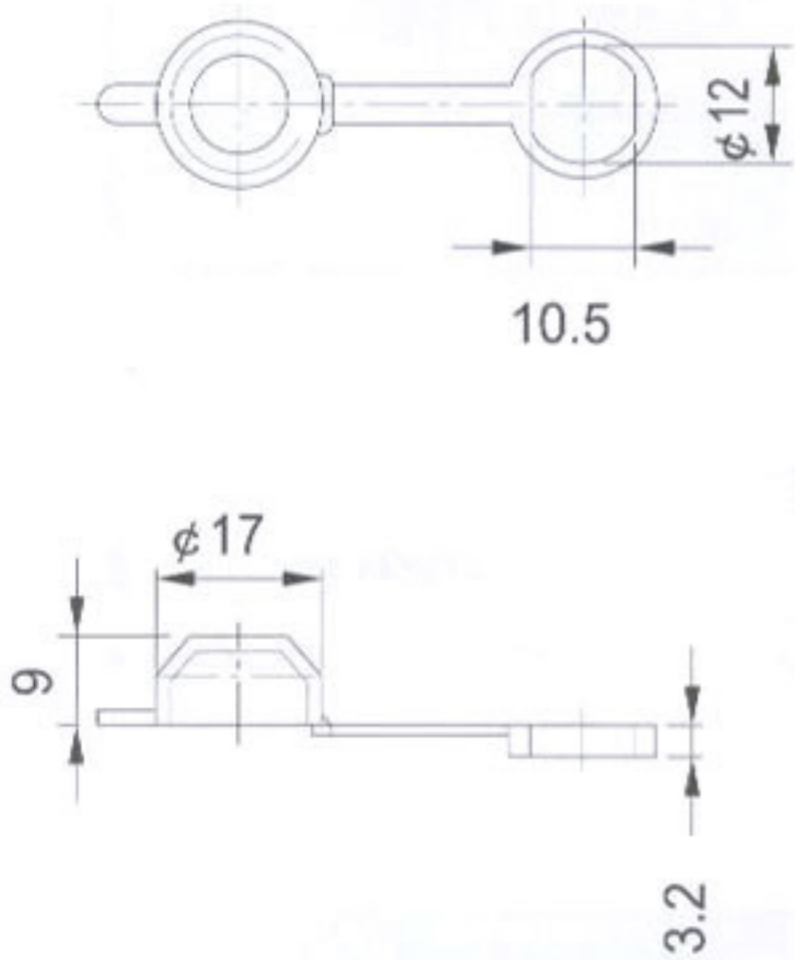
**DESCRIPTION**

- . T101 and T103 rubber cap, T102 plastic cap.
- . T101 used for micro switch locks and cam locks.
- . T102 used for mid-size switch locks and cam locks.
- . T103 used for large-size switch locks and cam locks.

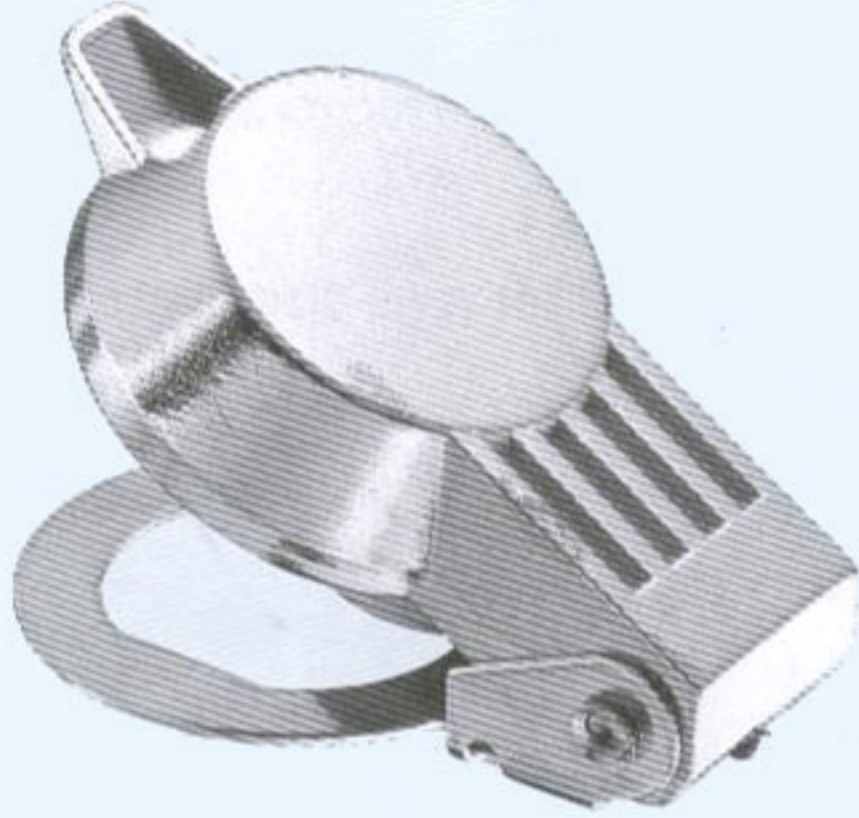
T101

T102

T103

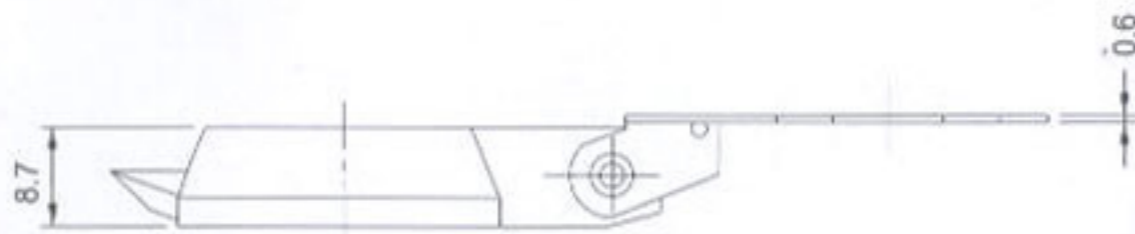


**T104 series**

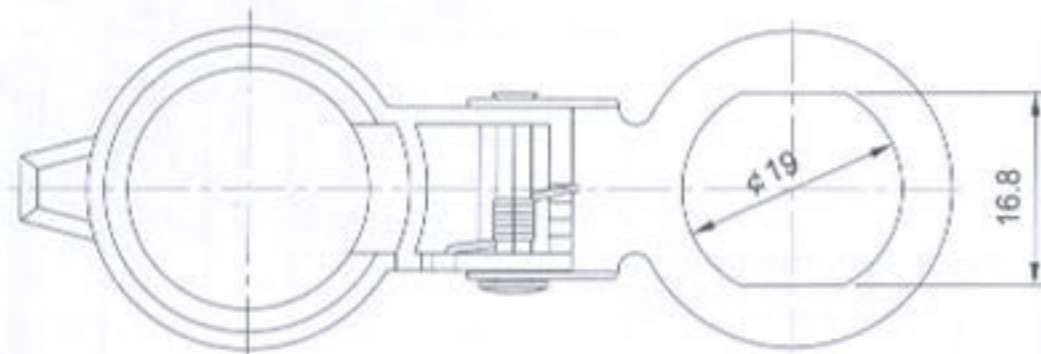


**DESCRIPTION**

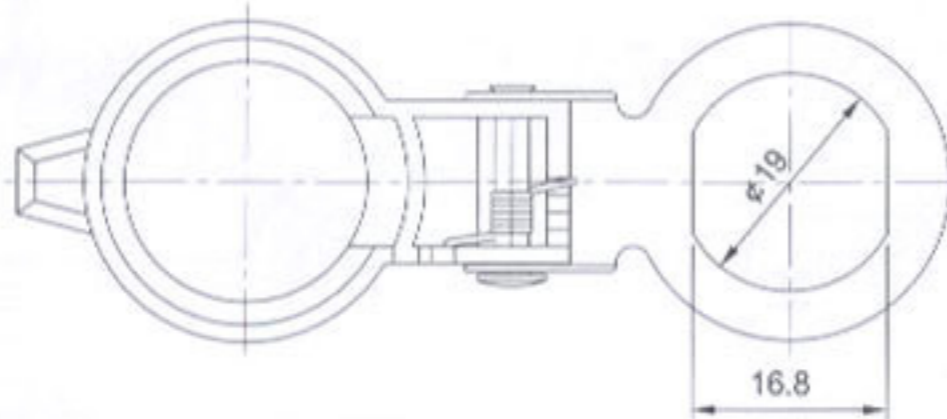
- . Zinc alloy die cast.
- . Bright chrome plated standard.
- . Stainless steel spring, pin and base.
- . Snap close feature.



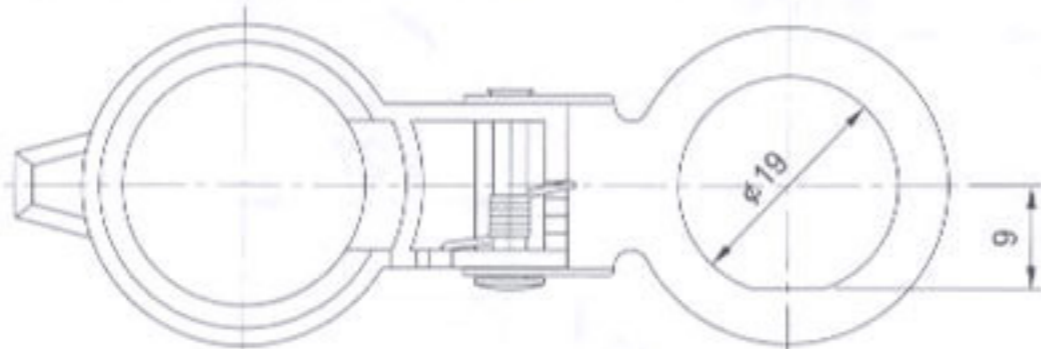
T104



T105



T106



T107

